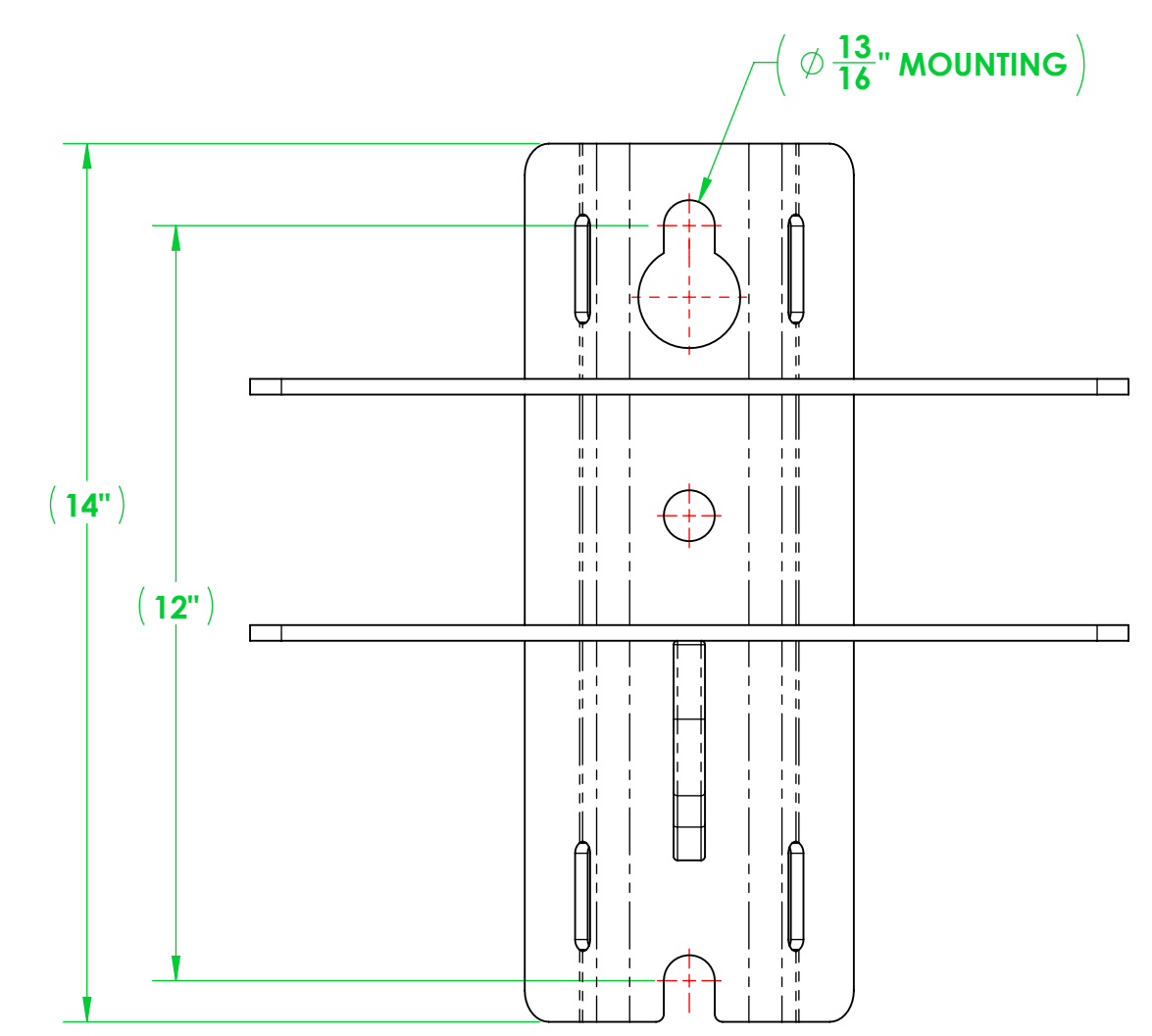
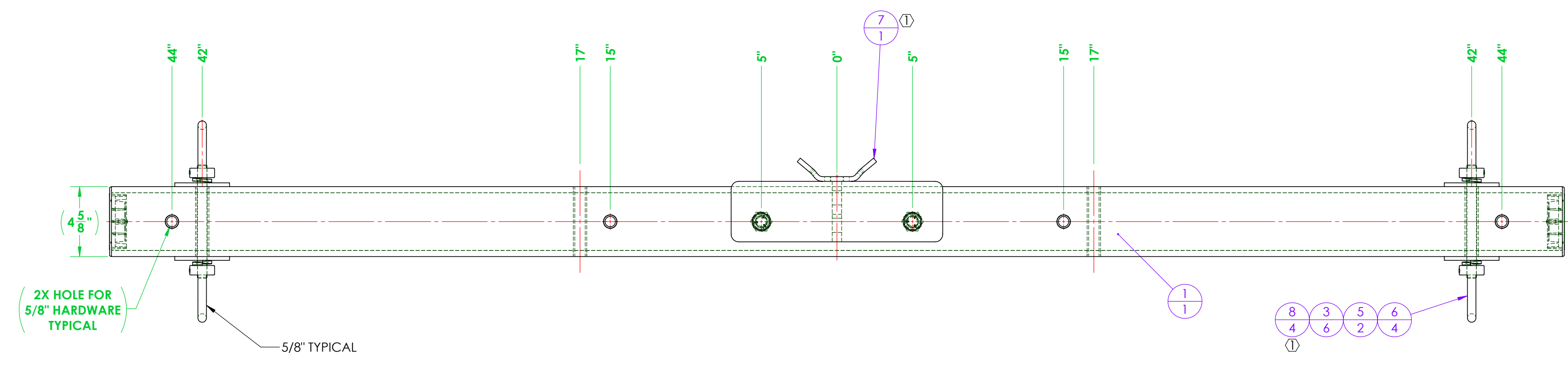
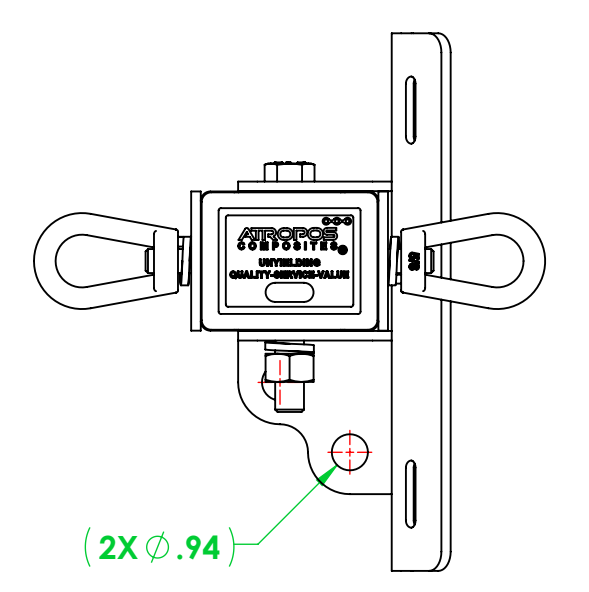


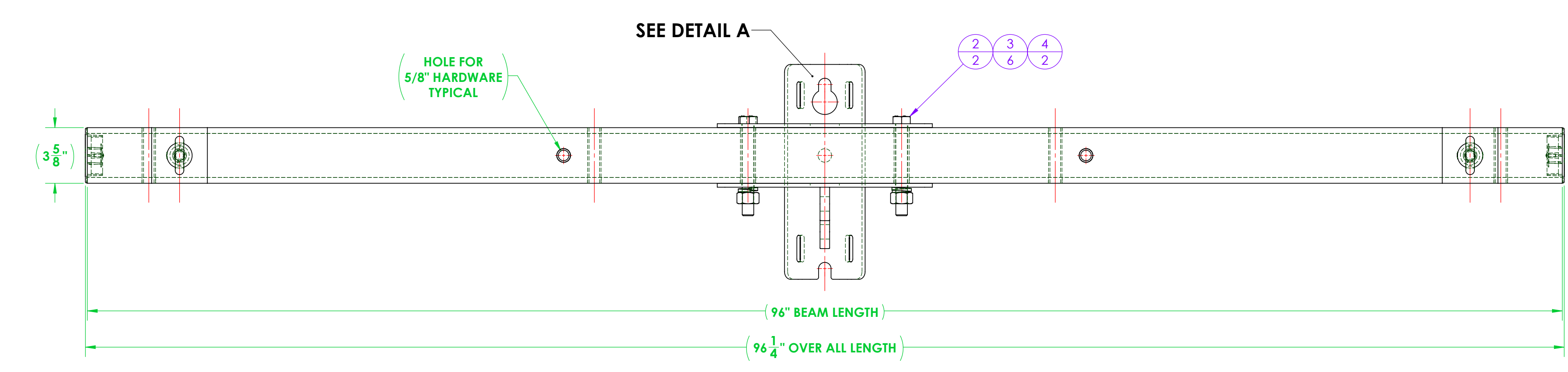
REVISIONS				
REV.	SHEET	DESCRIPTION	DATE	APPROVED
1		MOUNTING BRACKET WAS FABRICATED NOW PURCHASED. PLATE WASHERS WERE FABRICATED NOW PURCHASED.	4/17/2026	F. BRYANT



DETAIL A



(2X  $\phi$ .94)



ITEM NO.	PART NUMBER	DESCRIPTION	QTY.
1	3403A096-D312-2910 CA	ASSEMBLY, 3403 DEADEND CROSSARM, 8'	1
2	A616-0020-02	BOLT, HEX, 3/4"-10 X 6.00" LONG, HOT DIPPED GALVANIZED STEEL, 1-1/8" DRIVE	2
3	A616-0042-01	LOCK WASHER, FOR 3/4" SCREW, 0.766" ID, 1.265" OD, 0.188" THICK, HOT-DIPPED GALVANIZED STEEL	6
4	A616-0019-02	EXTREME STRENGTH NUT, HEX, 3/4"-10, 2H, HOT-DIPPED GALVANIZED	2
5	A711-0044	ALL-THREAD, 5/8"-11 X 7.50" LONG, GALV. STEEL	2
6	A616-0017-02	EYENUT, 5/8"-11, GALVANIZED STEEL	4
① 7	A700-0044	CROSSARM MOUNTING BRACKET, DEADEND, 3400 SERIES	1
① 8	A700-0049	WASHER, SQUARE, 3.625" X 3.625" X 0.25 THICK WITH 0.66 THRU HOLE	4

GENERAL NOTES	UNLESS OTHERWISE SPECIFIED	NAME	DATE
	DIMENSIONS ARE IN INCHES STANDARD TOLERANCES	DRAWN: F. BRYANT	10/16/2025
FINISH	FRACTIONAL: $\pm 1/32$	CHECKED:	
	ANGULAR: MACHINED: $\pm 0.5^\circ$ BEND: $\pm 2^\circ$	ENG APPR:	
	TWO PLACE DECIMAL: $\pm 0.03$	MFG APPR:	
	THREE PLACE DECIMAL: $\pm 0.005$	Q.A.:	
INTERPRET GEOMETRIC TOLERANCING PER: ANSI Y14.5			
MATERIAL			
PROPRIETARY AND CONFIDENTIAL			
THE INFORMATION CONTAINED IN THIS DRAWING IS THE SOLE PROPERTY OF VELLISO. ANY REPRODUCTION IN PART OR AS A WHOLE WITHOUT THE WRITTEN PERMISSION OF VELLISO IS PROHIBITED.			
DO NOT SCALE DRAWING		SCALE: 1:8	

**ATROPOS COMPOSITES**  
 12208 MISSOURI BOTTOM ROAD, HAZELWOOD, MO 63042  
 PHONE: 314.714.4001 FAX: 314.895.1943  
 SALES@LABRYNTH-TECH.COM

TITLE:  
ASSEMBLY, DEADEND, 3403, (2) WIRE, 8 FT.

SIZE DWG. NO. REV  
**D3403A096-D312-2910** 1

SCALE: 1:8 WEIGHT: 82.65 SHEET 1 OF 1